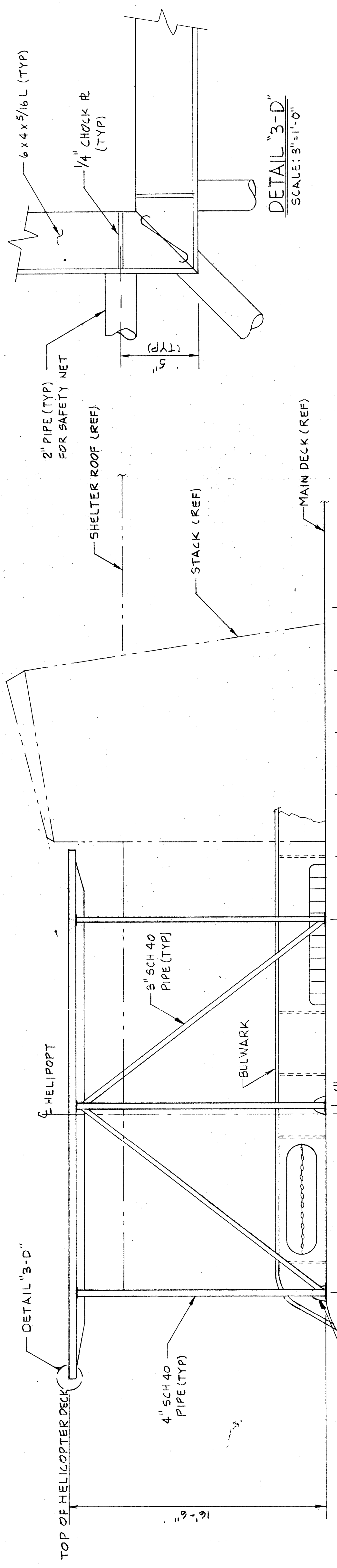
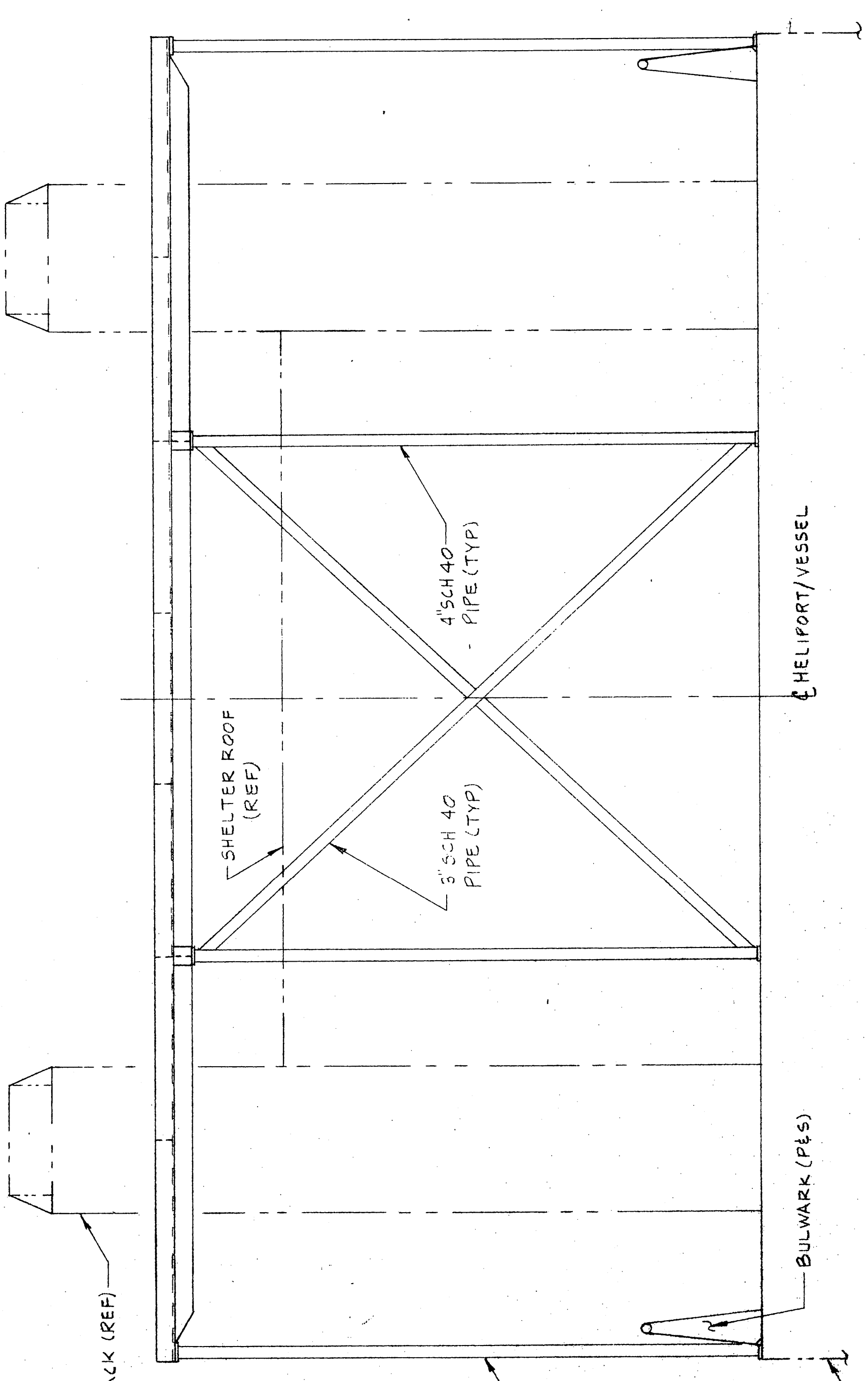


GENERAL NOTES:

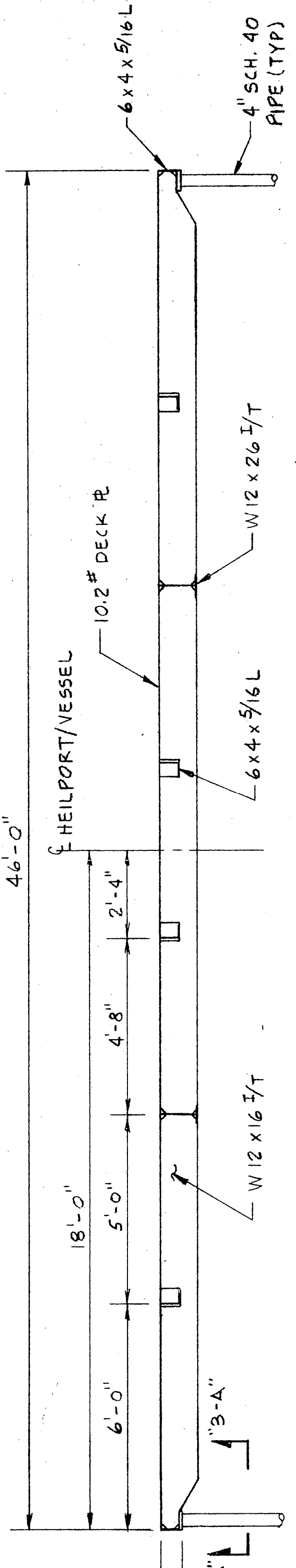
- ALL MATERIALS TO BE ORDINARY STRENGTH STEEL
ABS GRADE "A" OR EQUAL.
- WELDING SHALL BE IN ACCORDANCE WITH ABS REGULATIONS.



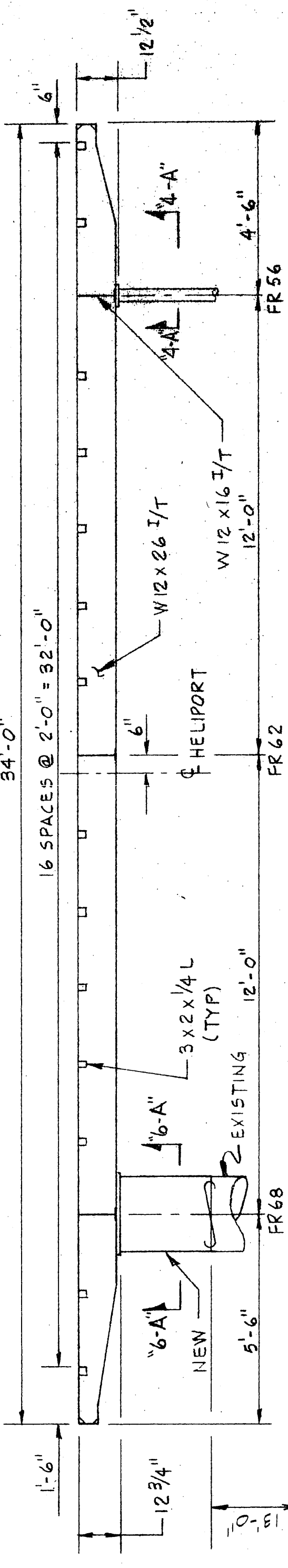
OUTBOARD PROFILE
SCALE: 1/4" = 1'-0"



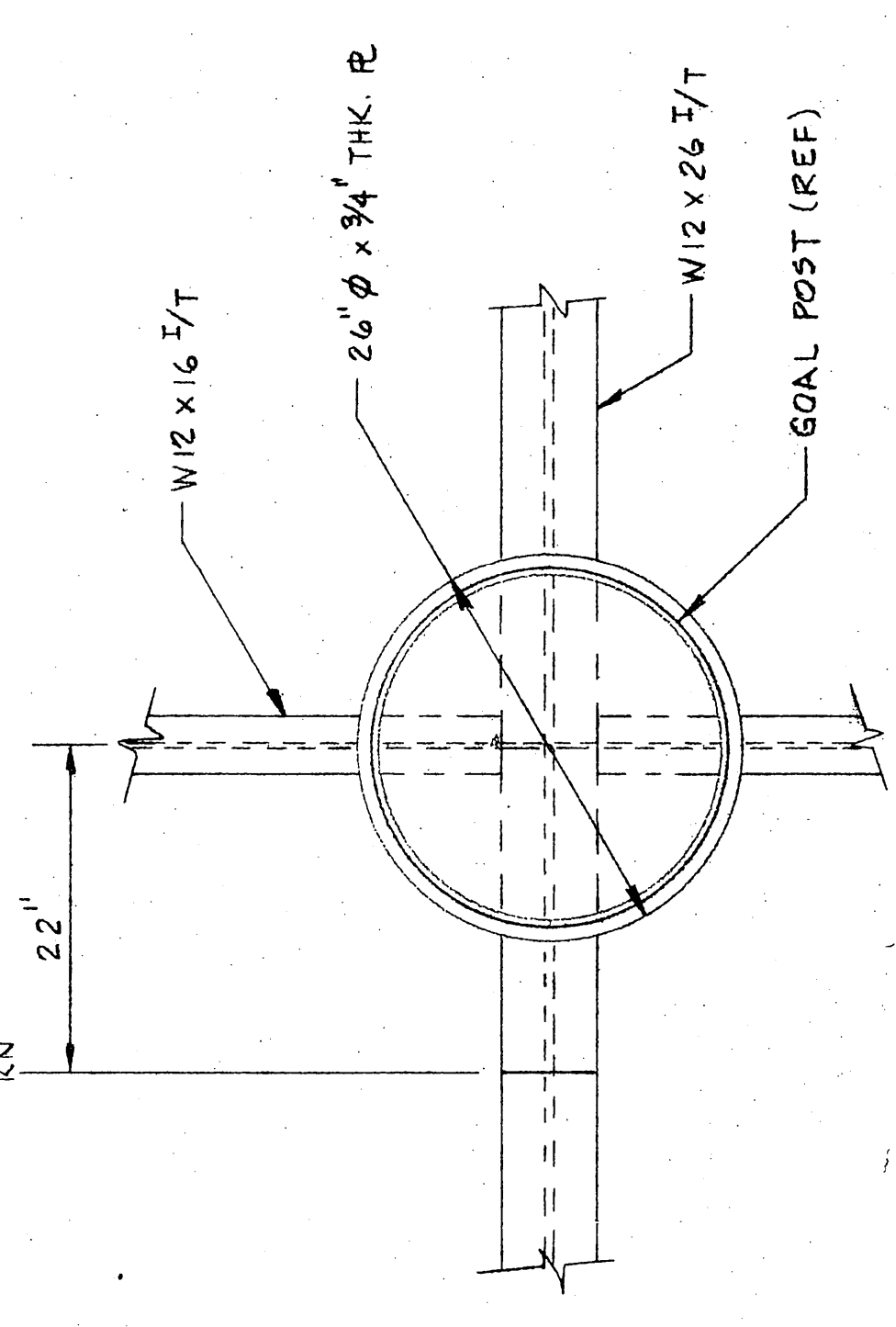
ELEVATION
FRONT VIEW
SCALE: 3/8" = 1'-0"



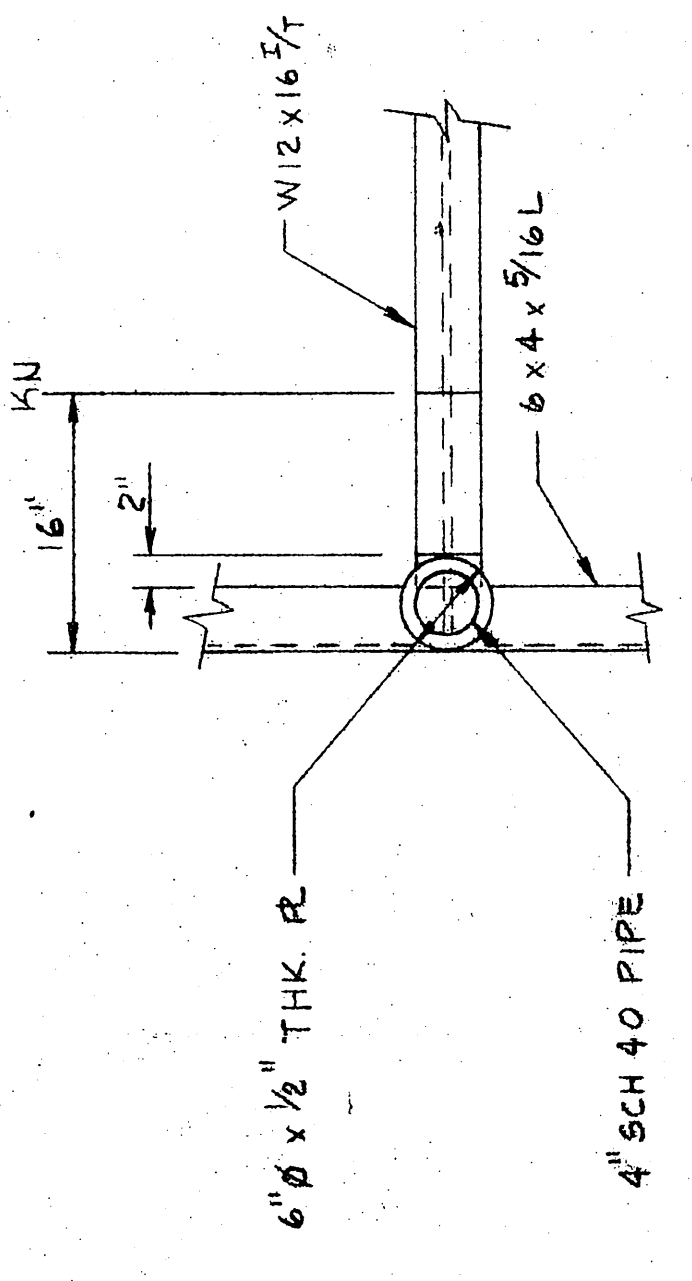
SECTION 4-C
TRANSVERSE SECTION (SEE SHT. 1)
SCALE: 3/8" = 1'-0"



SECTION 4-B
LONGITUDINAL SECTION (SEE SHT. 1)
SCALE: 3/8" = 1'-0"



SECTION 6-A
SCALE: 1" = 1'-0"



SECTION 3-A
SCALE: 1" = 1'-0"

NO.	BY	DATE	ZONE	ALTERATION

NAME		SISTERSHIPS		HULL NO.	
APPLICABLE		DATE		JOB NO.	
DRAWN BY		DATE		SHT. 2 OF 2	
J.J.S.		2/26/88		TIDEWATER MARINE SERVICE	
CHK'D BY		DATE		SCALE	
E.J.T.		2/28/88		B897-150-01	
				REV.	
				A2 NOTED	

M/V GEO TIDE

HELICOPTER DECK STRUCTURE

TIDEWATER MARINE SERVICE

APPROVED BY: [Signature]

DATE: [Date]

SCALE: [Scale]

REV: [Revision]